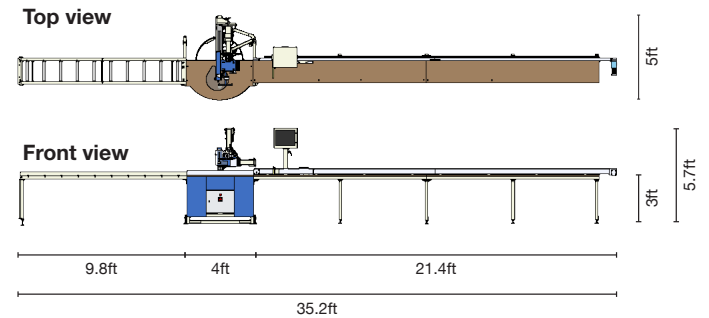
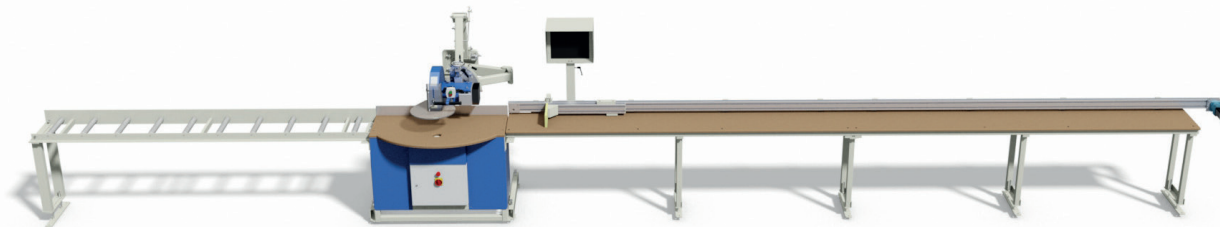




Automated Vector Saw



Specifications

| | |
|-------------------------------|---|
| Arbor Motor | 4Kw / 5.5Hp 3 phase |
| Saw Blade (TCT) | 17.7in |
| Max Depth of Cross Cut | 5.9in |
| Max Crosscut at 90° | 24in |
| Angular Capacity | 9° to 171° |
| Roller Infeed Table | 9.8ft |
| Automated Outfeed Bench Table | 21.4ft |
| Power Requirements 1 | 20amp, 110v, 1 phase |
| Power Requirements 2 | 20amp, 240v, 3 phase or 15amp, 460v, 3 phase |

Features

- Vector Saw
- 17 inch Industrial Flat Touch Screen
- Custom Designed Software

Options

- Clamping Table
- Laser Guide
- Plate Marker
- Drop Saw Table
- Left Hand or Right Hand Configuration
- Mitre Pins
- Extended Outfeed Tables
- Dust Collector





Square 1 Design & Manufacture Inc.

For all Sales, Service and Inquiries

Square 1 Design & Manufacture Inc.

400 N. Forsythe Street · Franklin, IN 46131

T: 866-647-7771 · E: sales@SQ-1Design.com

