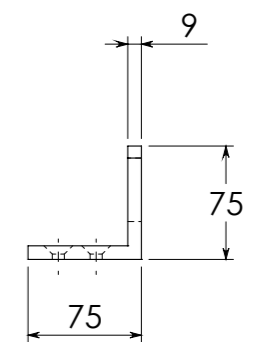
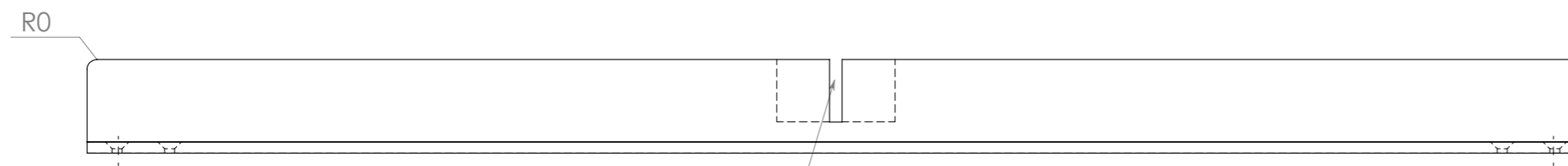
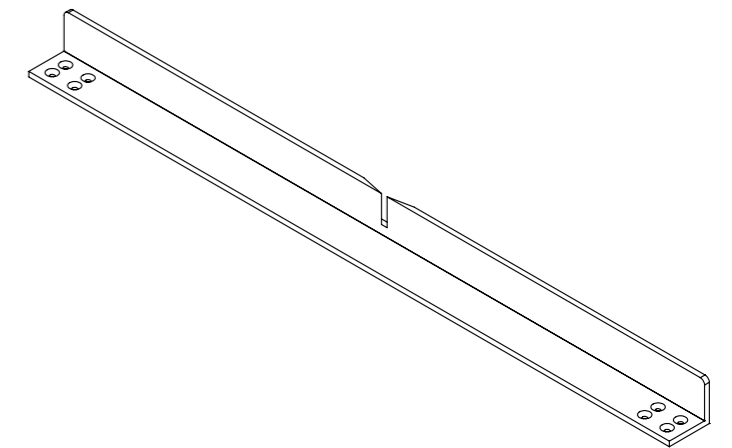
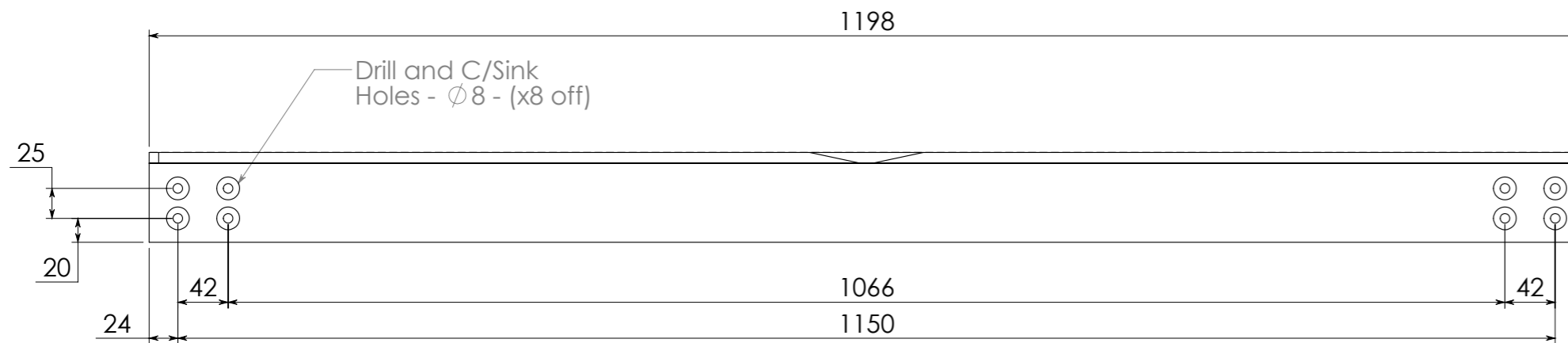


ITEM NO.	PART NUMBER	DESCRIPTION	MATERIAL	STOCK SIZE	WEIGHT
----------	-------------	-------------	----------	------------	--------



THIRD ANGLE PROJECTION 	UNLESS OTHERWISE SPECIFIED: DIMENSIONS ARE IN MILLIMETERS. DEBUR AND TOLERANCES: BREAK SHARP EDGES DO NOT SCALE DRAWING TOLERANCES: LINEAR: $\pm 0.5\text{mm}$ ANGULAR: $\pm 0.5^\circ$	DATE: 19/06/2015 LAST SAVED Friday, 19 June 2015 7:26:49 a.m.	 E-mail: greg@spida.co.nz Phone: 0800SPIDAS
DESIGN Greg Prouse	MATERIAL: Alu	TITLE: <b>C type Fence 75 x 75 x 9</b>	
CHECKER Lynn	SURFACE FINISH: Machined	CONFIGURATION: complete 2013	
APPROVAL Bevan	SHEET: 1 OF 1	COLOUR:	SIZE A3
SIGNATURE	SCALE: 1:5	WEIGHT: kg	DWG NO. <b>SMPFE03</b> REV <b>0</b>